

NANLUX

Evoked 600C *LED Full-color Spot Light*

USER MANUAL

Version: V1.5
2025-12-19

Revision History

| Version | Date (Y-M-D) | Note |
|---------|--------------|---|
| V1.0 | 2025-02-25 | File First Publish |
| V1.1 | 2025-06-18 | Minor adjustments |
| V1.2 | 2025-07-18 | Update the Introduction, Includes, and the reflector images |
| V1.3 | 2025-08-15 | Update the Specifications |
| V1.4 | 2025-09-26 | Update the Specifications, and the yoke images |
| V1.5 | 2025-12-19 | Update the CRMX Control |

Contents

| | |
|---|----|
| 1. Introduction | 1 |
| 2. Product Overview | 2 |
| 2.1. Product Layout | 2 |
| 2.2. Specifications | 4 |
| 2.3. Includes | 5 |
| 3. Safety Instructions | 6 |
| 4. Installing Instructions | 9 |
| 4.1. Connecting the Fixture with the Power Outlet | 9 |
| 4.2. Installing and Detaching the Yoke | 9 |
| 4.3. Balance Adjustment | 12 |
| 4.4. Installing and Detaching the Reflector | 13 |
| 4.5. Installing the AS-MB-2 Magnetic Base | 14 |
| 4.6. Installing the AS-MB-1 Magnetic Base | 14 |
| 4.7. Connecting the WC-EXT Wired Controller | 15 |
| 5. Operating Instructions | 17 |
| 5.1. Lighting Mode Control | 17 |
| 5.1.1. Control Panel Control | 17 |
| 5.1.2. DMX Control | 20 |
| 5.1.3. NANLINK APP Control-via Bluetooth | 22 |
| 5.1.4. NANLINK APP Control-via 2.4G | 23 |
| 5.1.5. Remote Controller Control | 24 |
| 5.1.6. CRMX Control | 24 |
| 5.1.7. Art-Net&sACN Control | 28 |
| 5.2. Menu | 29 |
| 5.2.1. Menu Overview | 29 |
| 5.2.2. Menu Operation | 31 |
| 5.2.3. Others | 32 |
| 5.3. Preset | 34 |
| 5.3.1. Save Preset | 34 |
| 5.3.2. Apply Preset | 35 |
| 5.3.3. Manage Preset | 35 |
| 5.4. Lock | 36 |
| 5.5. NFC Function | 36 |
| 6. Troubleshooting for Common Issues | 37 |

1. Introduction

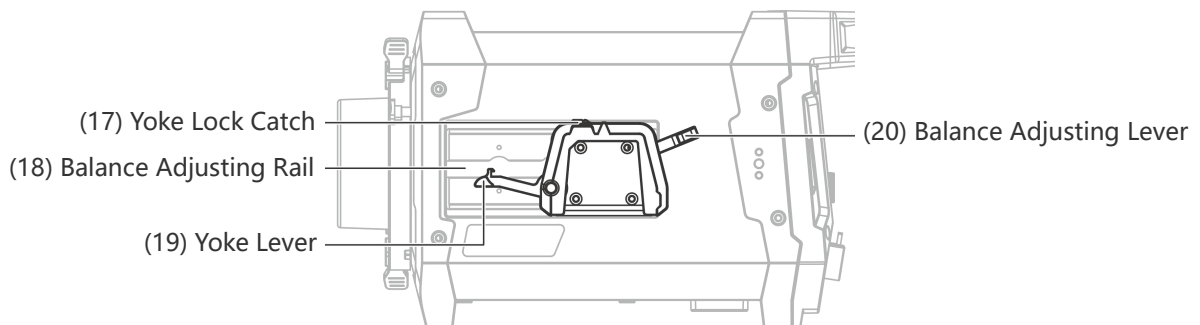
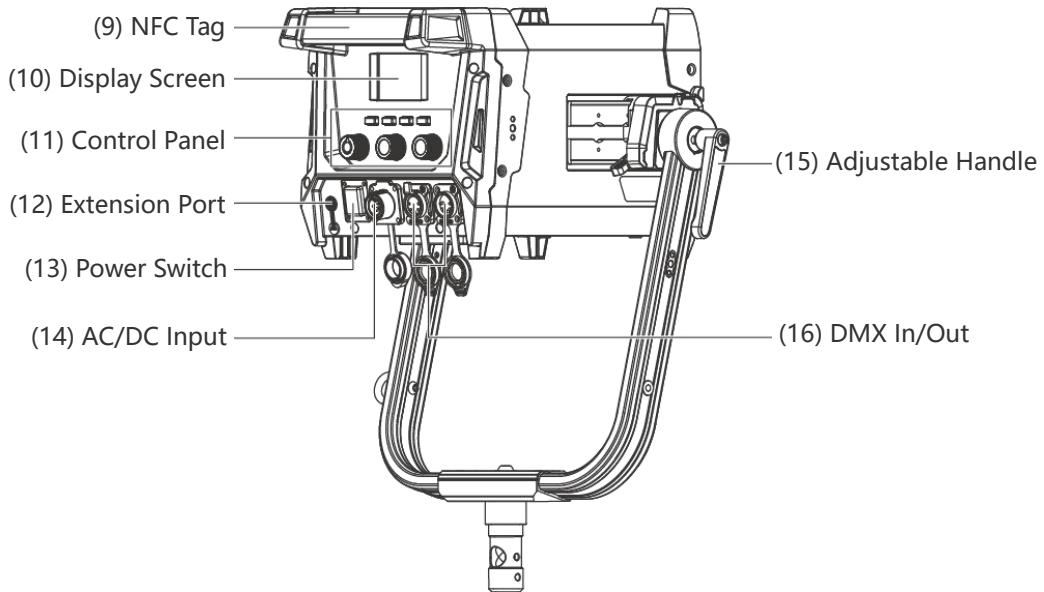
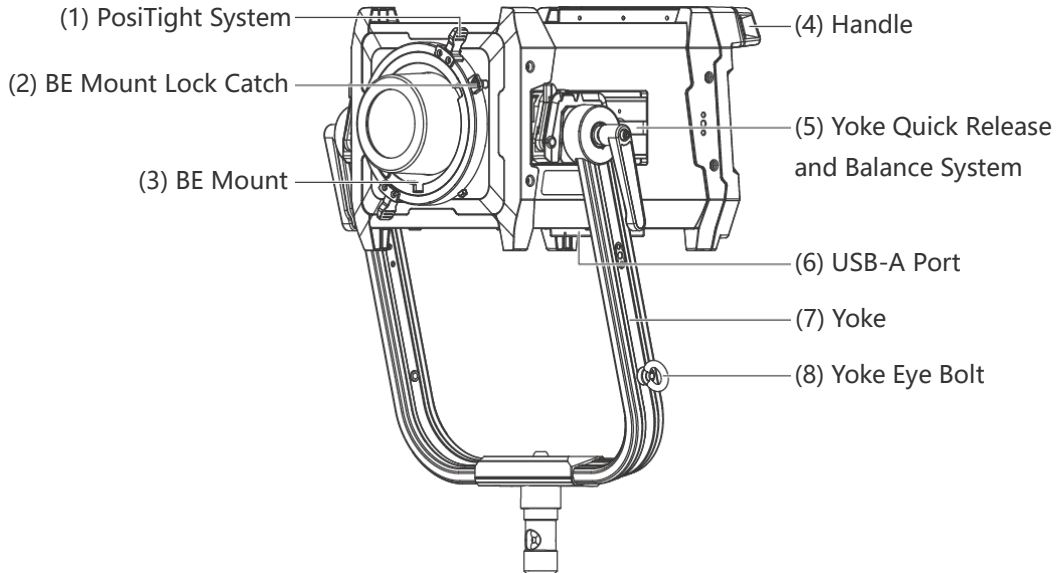
Thank you for purchasing the Nanlux product – Evoke 600C!

The Evoke 600C is a high-performance full-color spot light. It features an ultra-wide color temperature range, from 1000K to 20000K. Equipped with Nebula C8 light engine, it delivers precise and refined light quality, replicating natural and everyday lighting conditions such as sunlight and dim indoor lighting. With 15 built-in lighting effects, the Evoke 600C expands compatibility across different scenarios while meeting the demand for realistic and dynamic lighting. It offers multiple DMX modes to suit a wide range of applications. The fixture adopts a BE mount (Bowens mount with electronic contacts) for high accessory compatibility, supporting a broader range of attachments. Its advanced balance adjusting rail design ensures the fixture remains balanced even when different accessories are mounted on it. With an IP66 rating, it offers outstanding dust and water resistance, ensuring reliable performance even in extreme environments. Control options include on-board, wired controller, Nanlink App, Art-Net/sACN, DMX/RDM, and CRMX —providing versatile and intuitive operation even in complex lighting setups.

The Evoke 600C will bring great convenience to your creation and inspire creativity. Before using Evoke 600C, please read this manual carefully to ensure you can fully utilize all the features. Hope it can work with you to create more brilliant results together.

2. Product Overview

2.1. Product Layout

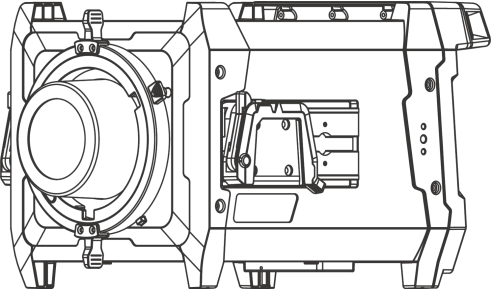

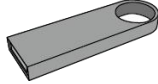
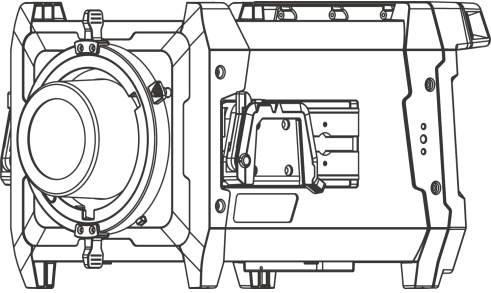
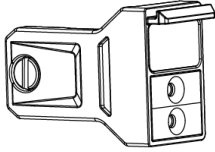
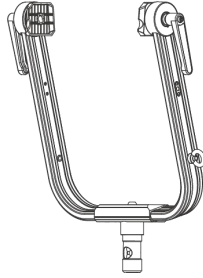
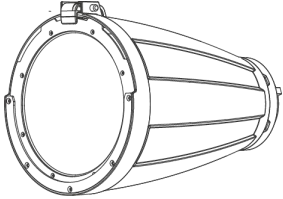
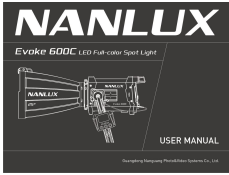
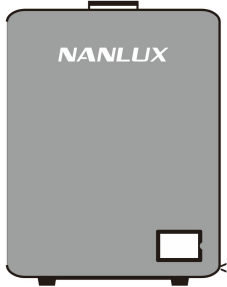
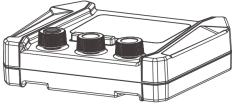

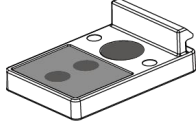
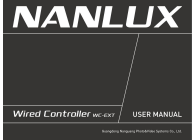


- (1) PosiTight System: For further tightening the reflector or other accessories.
- (2) BE Mount Lock Catch: For locking or releasing the reflector or other accessories.
- (3) BE Mount: For installing the reflector, other BE mount or Bowens mount accessories.
- (4) Handle: For lifting the fixture and adjusting the direction of illumination.
- (5) Yoke Quick Release and Balance System: For mounting the fixture to the yoke and maintaining the balance.
- (6) USB-A Port: For updating the firmware.
- (7) Yoke: For mounting the fixture on a light stand and adjusting the tilt angle.
- (8) Yoke Eye Bolt: For attaching the safety cable.
- (9) NFC Tag: For supporting NFC function.
- (10) Display Screen: For displaying the lighting status and settings.
- (11) Control Panel: Includes four buttons and three knobs, for operating various functions.
- (12) Extension Port: For connecting the WC-EXT wired controller or other accessories via the connection cable.
- (13) Power Switch: For turning on/off the fixture.
- (14) AC/DC Input: For connecting the power.
- (15) Adjustable Handle: For adjusting and fixing the illumination direction of fixture.
- (16) DMX In/Out: For DMX signal input and output.
- (17) Yoke Lock Catch: For locking and unlocking the yoke lever.
- (18) Balance Adjusting Rail: For adjust the center of gravity balance of the fixture on the yoke.
- (19) Yoke Lever: For locking and unlocking the yoke quick release plate.
- (20) Balance Adjusting Lever: For locking and unlocking the quick release and balance base plate.

2.2. Specifications

| Model Name | Evoke 600C |
|-----------------------|---|
| Rated Power | 600W |
| Input Voltage/Current | AC: 100-240V/50-60Hz, 8A Max DC: 48V/12.5A |
| LED Light Engine | Nebula C8 Light Engine: dRRALGCBI |
| CCT | 1000K → 20000K (G/M±200) |
| CRI | Average 98 |
| TLCI | Average 98 |
| TM-30 Rf | Average 96 |
| TM-30 Rg | Average 100 |
| Dimming | 0.0%-100.0%, by 0.1% increment |
| IP Rating | IP66 |
| Control | On-board, Wired Controller, Remote Controller, NANLINK APP, DMX/RDM, CRMX, Art-Net/sACN |
| Special Effects | CCT Loop, INT Loop, HUE Loop, Flash, Pulse, Storm, Police Car, TV, Paparazzi, Candle/Fire, Disco, Bad Bulb, Firework, Explosion and Welding |

2.3. Includes

| | | | |
|--|---|---|---|
| <p>Evoke 600C × 1</p>  | <p>AC Power Cable × 1</p>  | <p>USB Flash Drive × 1</p>  | |
|  | <p>AS-MB-2 Magnetic Base × 1</p>  | <p>Yoke × 1</p>  | |
| | <p>RF-BE-25 BE Mount Reflector 25° × 1</p>  | <p>User Manual × 1</p>  | <p>CC-ST-EV600C Trolley Case × 1 (only for Evoke 600C KIT)</p>  |
| <p>Wired Controller Package</p> | | | |
| <p>WC-EXT Wired Controller × 1</p>  | <p>Connection Cable × 1</p>  | <p>AS-MB-1 Magnetic Base × 1</p>  | <p>User Manual × 1</p>  |

3. Safety Instructions

Please read and understand all safety instructions before installing or operating the fixture. Always follow the instructions to avoid personal injury and fixture damage.

Electrical:



Danger

Please ensure that the AC current, voltage and frequency comply with the fixture requirements, and make sure the fixture is properly grounded when connected.



Danger

Please use proper and undamaged cables to connect the fixture correctly, avoiding the risk of electric shock or fixture damage.



Danger

Please disconnect the power before moving or transporting the fixture.

Installation:



Danger

Please carefully read the manual and follow the instructions to install the fixture to avoid any unnecessary incidents.



Danger

Please use light stands or clamps that meet the load-bearing requirements to ensure the fixture's safety and stability when installing the fixture.



Danger

Please secure the fixture with a safety cable that can support at least 10 times the fixture's weight for overhead installation.



Caution

Please wear appropriate protective gloves when installing or removing the fixture or accessory with high-temperature surfaces.



Caution

Please pay special attention to the impact of wind and take appropriate reinforcement measures when installing outdoors.



Caution

When installing or detaching heavy accessories or adjusting the direction of the fixture, please hold the handle firmly to prevent accidental tilt down. Keep your hands away from the gap between the yoke and the fixture to avoid hand injuries.

Operation:



Danger

Please stop using the fixture immediately if the fixture housings or cables show visible damage.



Danger

Please do not use the fixture near flammable or explosive materials.



Danger

Please be cautious, as the flashing effect may trigger seizures.



Danger

The Evoke 600C fixture is rated IP66, providing complete protection against dust and resistance to water jets from all directions, including continuous exposure to heavy rain and washing with high-pressure water jets. However, please do not submerge the fixture in water to avoid personal injury or fixture damage.



Danger

Please keep the fixture away from corrosive liquids or high-pressure steam.



Caution

Please ensure the fixture is used in an environment between -20°C and 45°C; operating outside this temperature range may damage the fixture.



Caution

Please do not cover the ventilation openings during use to prevent the fixture from overheating.



Caution

Please do not look directly at the light source without wearing protective glasses, as this may cause irreversible eye injury.



Caution

Please remind the crew to avoid eye injury caused by accidentally looking directly at the light source before the fixture lights up.

Maintenance:



Danger

Please do not disassemble or repair any part of the fixture on your own, as this will void the warranty. Maintenance and repair work should be carried out by an authorized service center and professional personnel.



Danger

Please disconnect the power before starting any maintenance work.



Caution

Please ensure the fixture is completely dry before transportation or storage after using it in a humid environment.



Notice

Please ensure the fixture is stored away from the following environments or items: extreme temperatures, direct sunlight, high humidity, intense vibrations, dust, strong magnetic fields, and flammable or explosive materials.

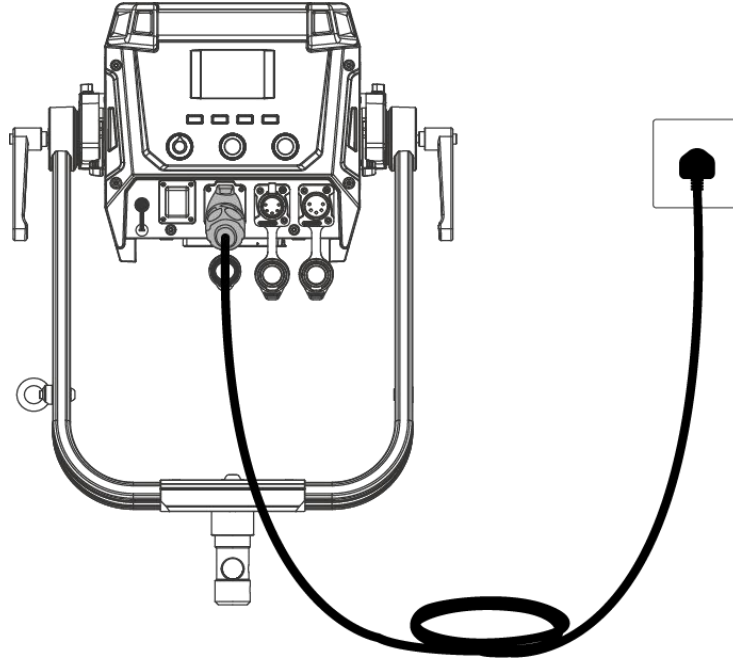


Notice

Please transport the fixture and accessories in suitable case to avoid damage.

4. Installing Instructions

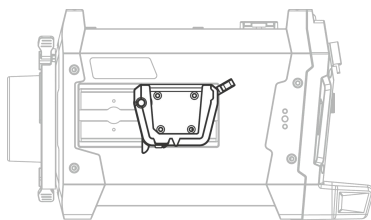
4.1. Connecting the Fixture with the Power Outlet



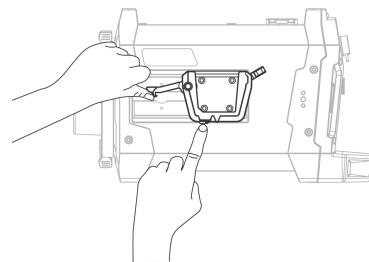
- (1) To power the fixture with AC power, please ensure the power switch is turned off.
- (2) Connect the AC power cable to the AC/DC Input port.
- (3) Connect the AC power cable to the power outlet (as shown above).

4.2. Installing and Detaching the Yoke

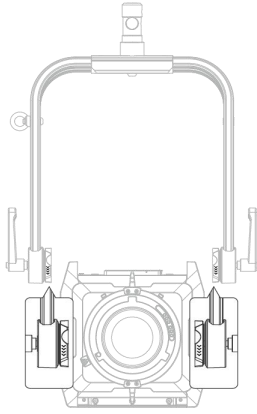
Installation Method 1:



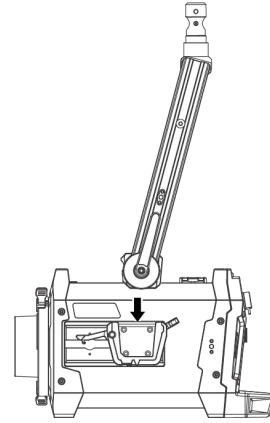
- (1) Place the fixture on a flat surface with its bottom facing up. Move the fixture's quick release and balance base plates on both sides to the last position of the balance adjusting rail (the position closest to the rear of the fixture) and lock them in place. (For instructions on operating the quick release and balance base plate, please refer to section 4.3: Balance Adjustment.)



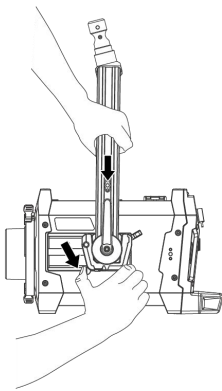
- (2) Press the quick release lever lock catch and push it aside to release.



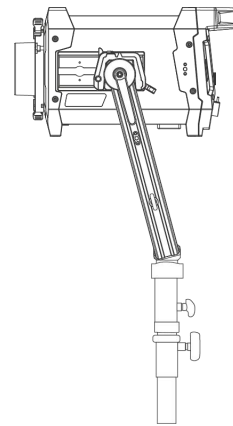
(3) Adjust the quick release plates on both sides of the yoke to make the arrows point downward, and ensure that the angles of both plates are the same.



(4) Align and insert the quick release plates on both sides of yoke into the fixture's quick release and balance base plate.

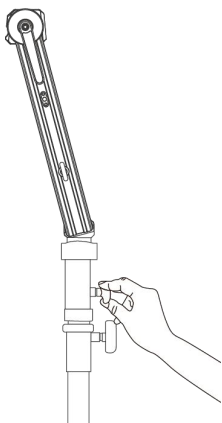


(5) Firmly hold the yoke in place with one hand, and pull the quick release lever with the other hand to lock the plate in place.

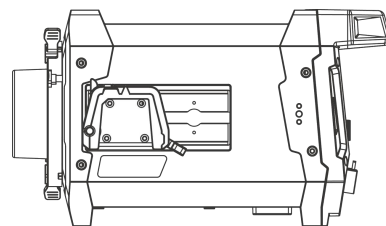


(6) Mount the fixture on heavy-duty light stand and tighten the knob on the light stand.

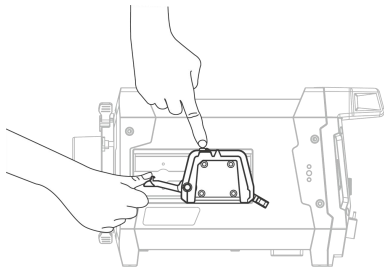
Installation Method 2:



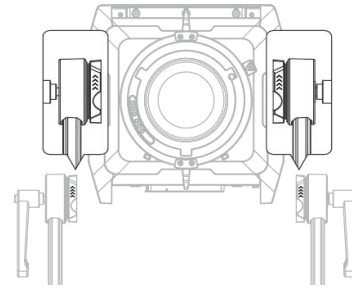
(1) Mount the fixture on a heavy-duty light stand and tighten the knob on the light stand.



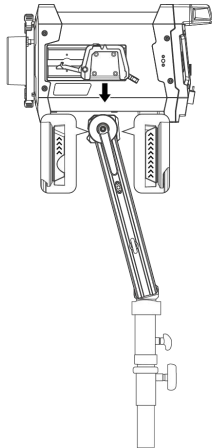
(2) Move the fixture's quick release and balance base plates on both sides to the last position of the balance adjusting rail (the position closest to the rear of the fixture) and lock them in place. (For instructions on operating the quick release and balance base plate, please refer to section 4.3: Balance Adjustment.)



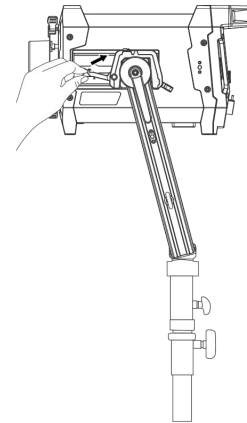
(3) Press the quick release lever lock catch and push it aside to release.



(4) Adjust the quick release plates on both sides of the yoke to make the arrows point upward, and ensure that the angles of both plates are the same.

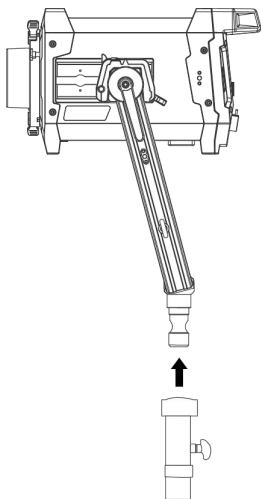


(5) Align the fixture's quick release plate bases on both sides with the quick release plates on the yoke, and insert them into place.

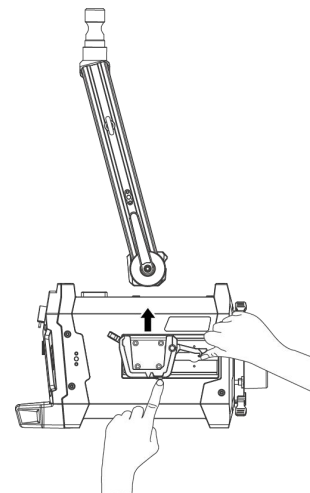


(6) Push the levers on both sides of the fixture. The quick release plates will click into place, completing the installation.

Detachment:



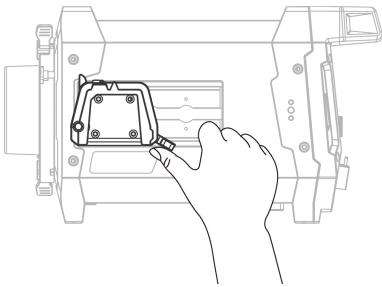
(1) To detach the yoke, first remove the fixture from the heavy-duty light stand and place it on a flat ground with the bottom facing up.



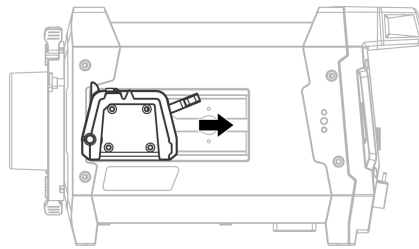
(2) Press the quick release lever lock catches on both sides and push them aside to release, then remove the yoke.

4.3. Balance Adjustment

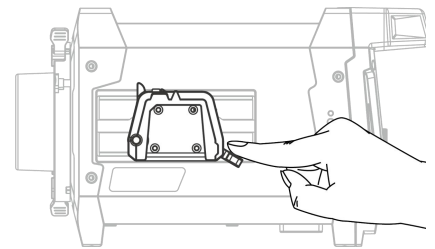
Method 1: (without being mounted on the yoke)



(1) Place the fixture on a flat surface, push the balance adjusting levers on both sides to release.

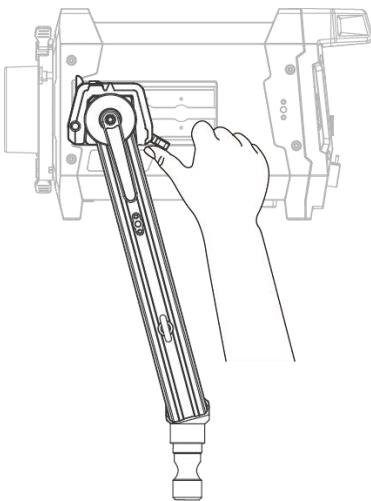


(2) Move the quick release and balance base plates on both sides to the appropriate position.

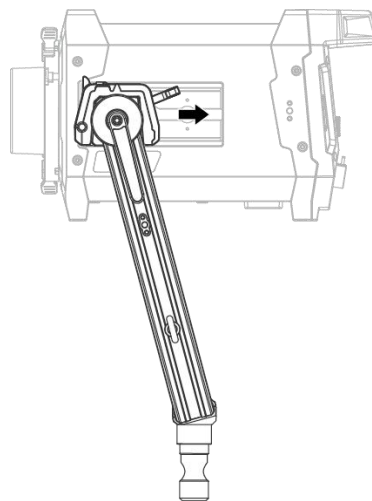


(3) Press down the balance adjusting levers on both sides to lock them, mount the fixture onto the yoke, and then attach the accessory to the fixture. (Before attaching the accessory, make sure to hold the fixture securely to prevent imbalance.)

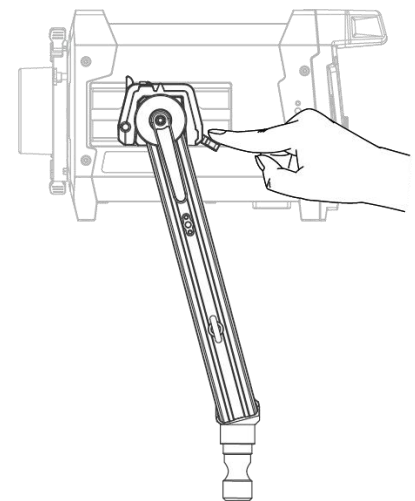
Method 2: (mounted on the yoke)



(1) Push the balance adjusting levers on both sides to release.



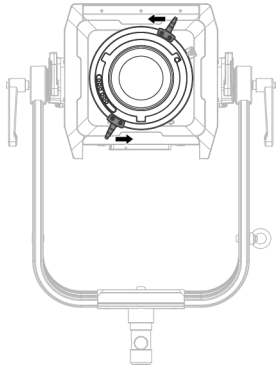
(2) Move the fixture along the yoke until the quick release and balance base plates reach the appropriate position.



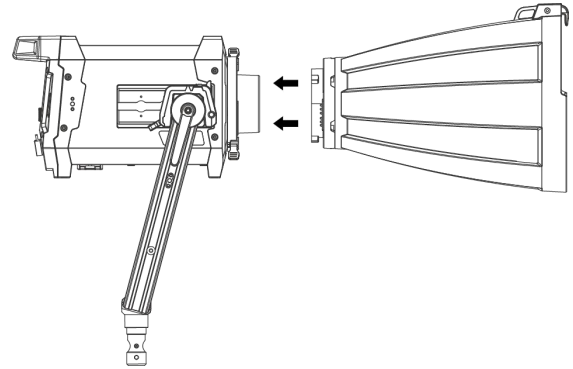
(3) Press down the balance adjusting levers on both sides to lock them, and then attach the accessory to the fixture. (Before attaching the accessory, ensure the fixture is held securely to prevent imbalance.)

4.4. Installing and Detaching the Reflector

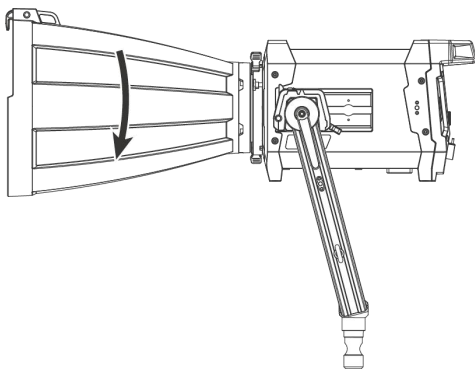
Installation:



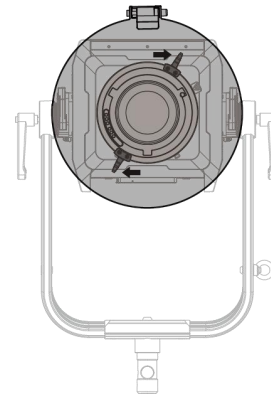
(1) To install the reflector, hold the two handles of the PosiTight system, and rotate anticlockwise to release it.



(2) Align the reflector's electronic contacts with the fixture's electronic contacts, match the three tabs with the three grooves on the fixture's mount, and insert the reflector into the mount.

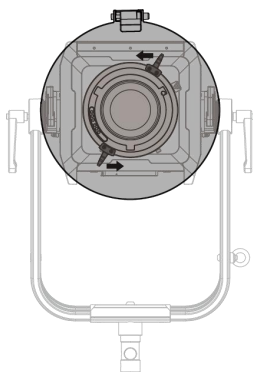


(3) Clockwise rotate the reflector and fasten it onto the fixture.

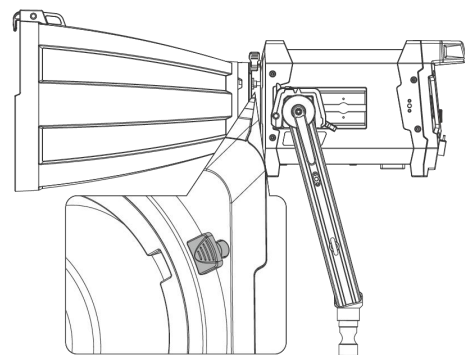


(4) Clockwise rotate the PosiTight system to further secure the reflector.

Detachment:



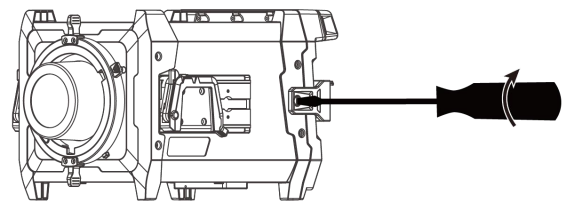
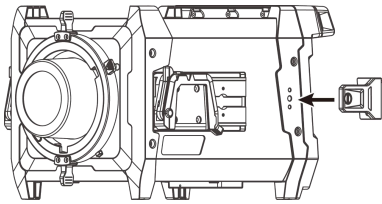
(1) To detach the reflector, hold the two handles of the PosiTight system, and rotate anticlockwise to release it.



(2) Hold the reflector and press the BE mount lock catch. Rotate the reflector anticlockwise to remove it. (After removal, pay attention to the fixture's balance, and adjust the center of gravity as needed.)

4.5. Installing the AS-MB-2 Magnetic Base

Installation:

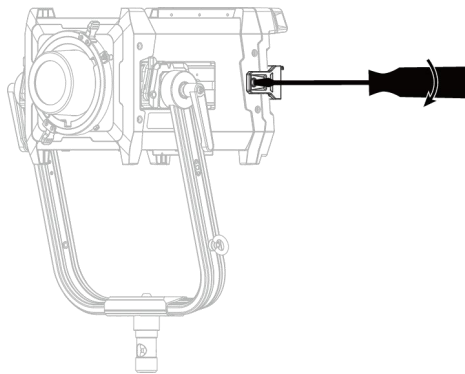


(1) To install the AS-MB-2 magnetic base, align it with the installation position (as shown above) on the fixture and insert it.

(2) Turn the screw clockwise using a screwdriver to secure it to the fixture, and complete the installation.

▲ Note: The AS-MB-2 magnetic base should be installed on the fixture before attaching the extension adapter (AS-EXT-LAN or AS-EXT-DMX, sold separately).

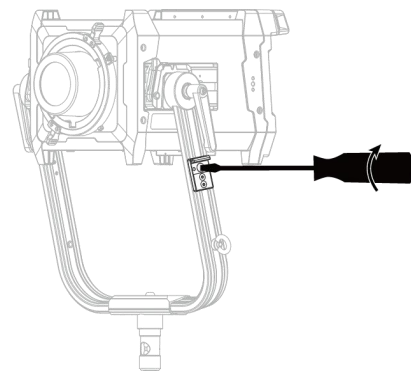
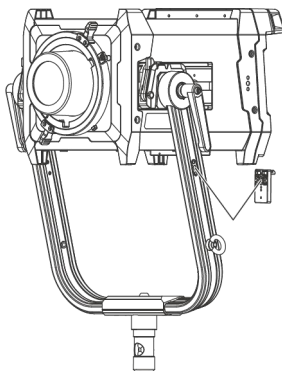
Detachment:



Turn the screw counterclockwise until it is fully loosened from the screw hole. Remove the magnetic base from the fixture.

4.6. Installing the AS-MB-1 Magnetic Base

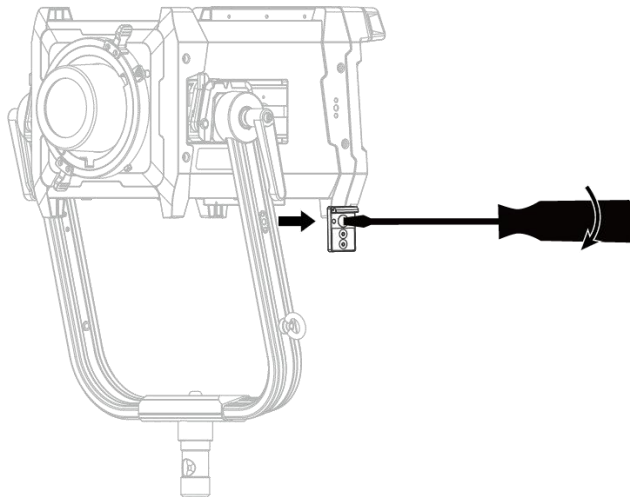
Installation:



(1) Find the 1/4"-20 screw hole on the yoke (as shown above), align the screw on the magnetic base with the screw hole on the yoke and insert it.

(2) Turn the screw clockwise using a screwdriver to secure it and complete the installation.

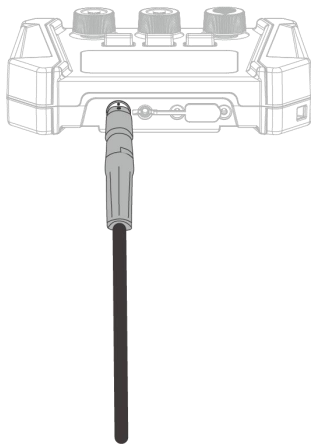
Detachment:



Turn the screw counterclockwise until it is fully loosened from the screw hole. Remove the magnetic base from the yoke.

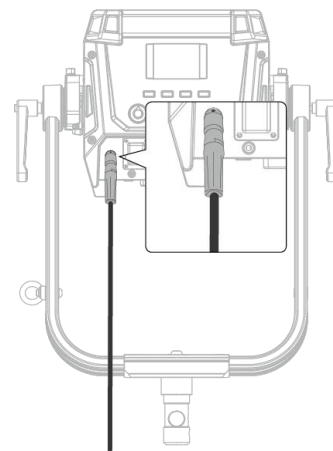
4.7. Connecting the WC-EXT Wired Controller

Connecting the wired controller to the fixture:



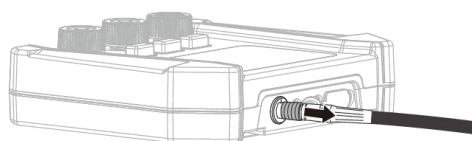
(1) Insert the plug of the connection cable into the wired controller's extension port.

▲Note: Align the red dot on the plug with the red dot on the extension port.



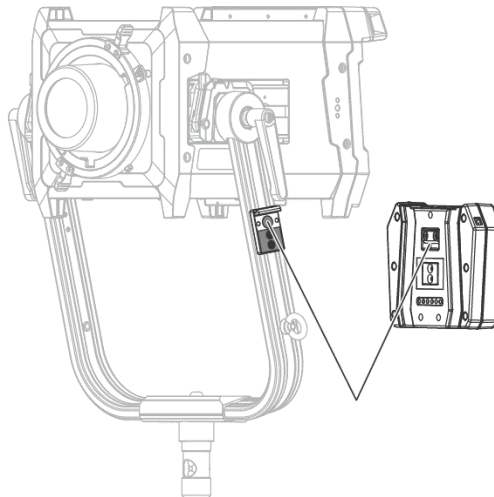
(2) Insert the plug on the other end of the cable into the fixture's extension port to complete the connection between the wired controller and the fixture.

Disconnecting the wired controller from the fixture:



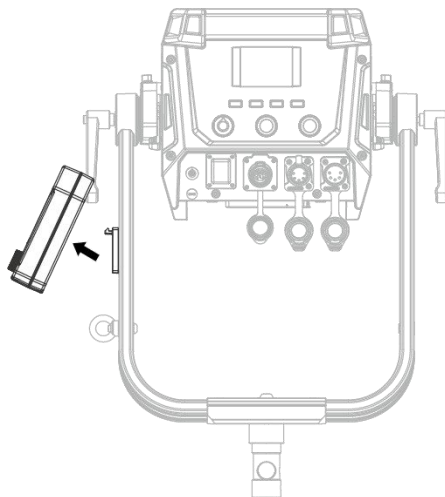
Grip the anti-slip section of the connection cable plug and pull it out to disconnect.

Install wired controller onto the AS-MB-1 magnetic base:



Align the groove on the back of the wired controller with and close to the latch on the magnetic base. The wired controller will automatically attach to the magnetic base.

Detach wired controller from the AS-MB-1 magnetic base:

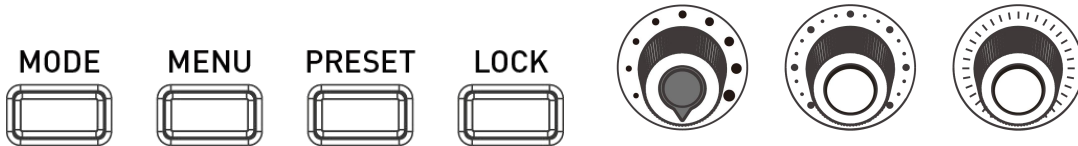


Lift the wired controller from the bottom upward to remove it from the fixture.

5. Operating Instructions

Connect the fixture to power, turn on the power switch to power up the fixture.

The control panel features four buttons--**MODE**, **MENU**, **PRESET**, and **LOCK**, as well as three knobs: **left knob**, **middle knob**, and **right knob**.



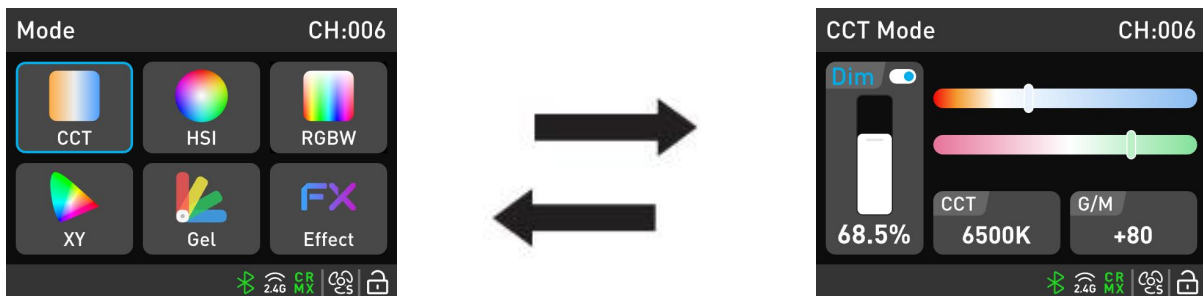
5.1. Lighting Mode Control

This fixture has CCT, HSI, RGBW, XY Coordinates, Gel, and Effect modes.

5.1.1. Control Panel Control

(1) Mode Selection

Press the **MODE** button to enter the mode selection interface. Rotate the **right knob** to switch options, and press the **right knob** to enter the corresponding mode.



▲ Note: In the mode interface, press the **MODE** button to return to the mode selection interface.

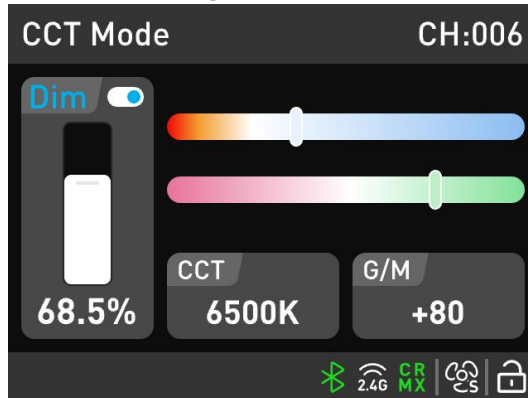
(2) Mode Operation

① CCT Mode

Rotate the **left knob** to adjust brightness. Press the **left knob** to turn on or off the Dimmer Switch.

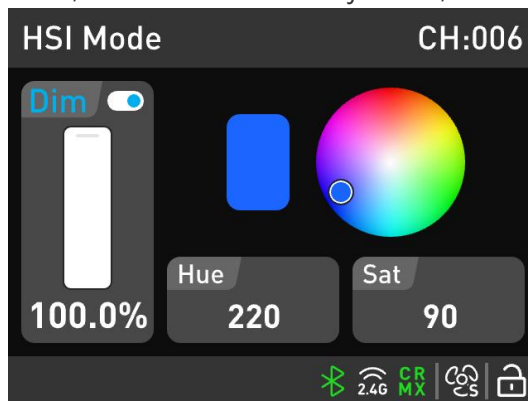
Rotate the **middle knob** to adjust the CCT. Press the **middle knob** to toggle among 1000K, 1200K, 1500K, 1800K, 2100K, 2400K, 2700K, 3200K, 4300K, 5600K, 6500K, 7500K, 8500K, 10000K, 12000K, 14000K, 16000K, 18000K, and 20000K.

Rotate the **right knob** to adjust the G/M. Press the **right knob** to set the value to zero.



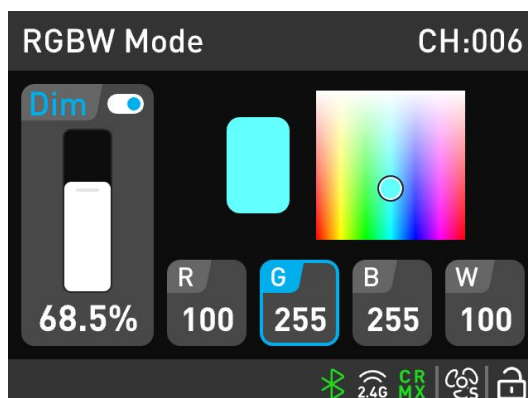
② HSI Mode

Rotate the **left knob** to adjust brightness, the **middle knob** to adjust hue, and the **right knob** to adjust saturation.



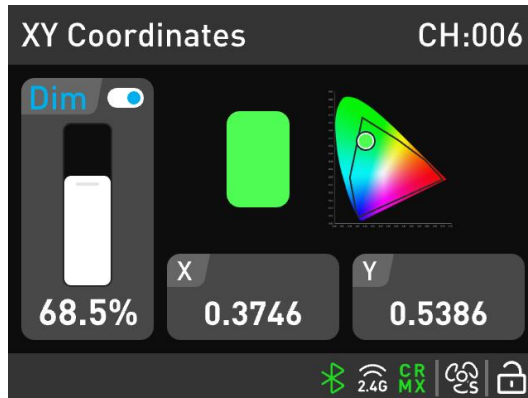
③ RGBW Mode

Rotate the **left knob** to adjust brightness, the **right knob** to select R, G, B or W, and the **middle knob** to adjust the parameter.



④ XY Coordinates

Rotate the **left knob** to adjust brightness, the **middle knob** to adjust the X coordinate value, and the **right knob** to adjust the Y coordinate value.

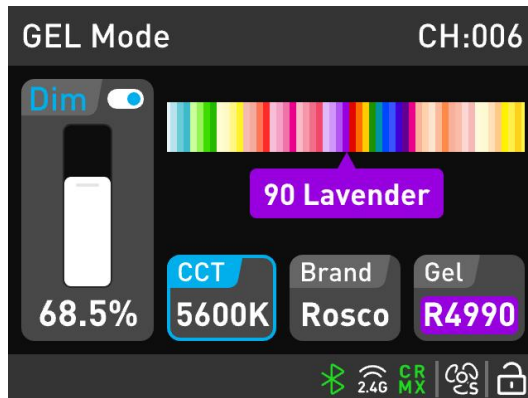


⑤ Gel Mode

Rotate the **left knob** to adjust brightness, the **right knob** to select CCT, Brand or Gel, and the **middle knob** to switch CCT value, gel brands, or select the needed gel.

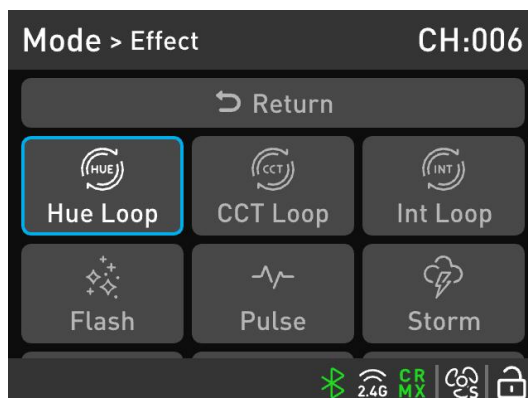
If the CCT is selected, press the **middle knob** to switch between 3200K and 5600K.

If the gel brand is selected, press the **middle knob** to switch between Lee and Rosco.

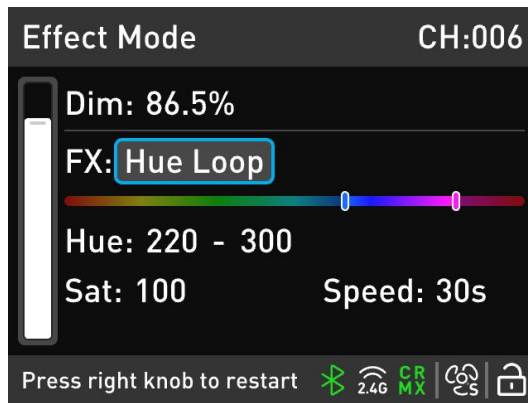


⑥ Effect Mode

Rotate the **right knob** to select the needed effect. Press the **right knob** to enter the interface to adjust parameters.



In this interface, rotate the **right knob** to select a parameter, and the **middle knob** to adjust the parameter value.



5.1.2. DMX Control

(1) DMX Connection

① Connect the fixture to the DMX console via a DMX cable

A 5-pin shielded cable with a diameter of no less than 0.3mm must be used to connect the light fixture to the DMX console.

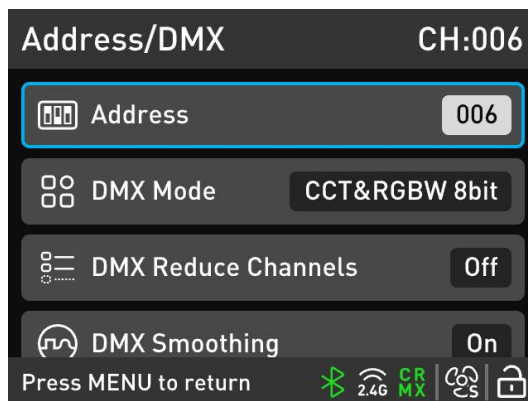
The fixture is built with a 5-pin XLR socket. If the DMX console is built with a 3-pin XLR socket, an adapter will be required.

② DMX Termination Resistor

When connecting fixtures with DMX cables, the DMX out port of the last fixture in the daisy chain must be connected to a DMX termination resistor (not included). This effectively prevents interference during DMX signal transmission.

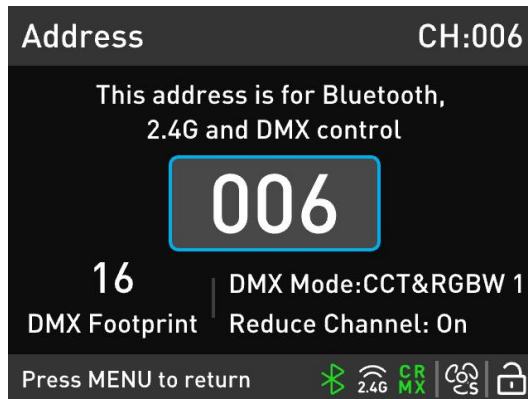
(2) DMX Settings

The DMX settings include Address, DMX Mode, DMX Reduce Channels, DMX Smoothing, DMX Dimming Curve and Loss Behavior.



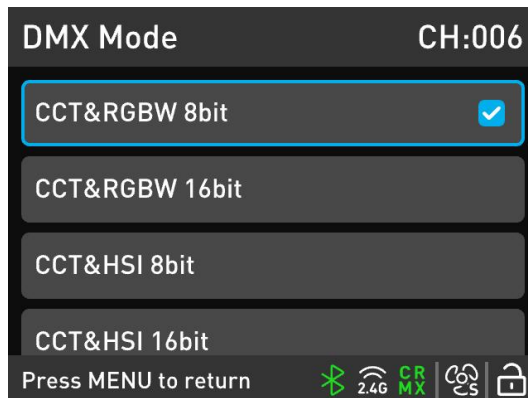
① Address Setting

Enter the address setting interface: Menu → Address/DMX → Address.



② DMX Mode Setting

Enter the DMX mode interface: Menu → Address/DMX → DMX Mode.



③ Other DMX Settings

The operation methods for DMX Reduce Channels, DMX Smoothing, DMX Dimming Curve and Loss Behavior are as below:

Rotate the **right knob** to the corresponding DMX setting option and press the **right knob** to enter the level 3 menu.

Rotate the **right knob** to select the parameter, and press the **right knob** to set.

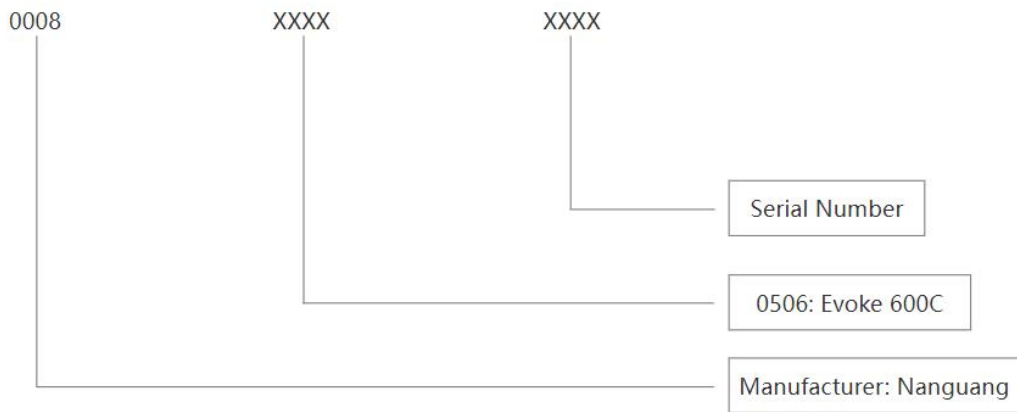
After the DMX settings are finished, and the DMX cable is connected, for detailed operations on controlling the fixture with a DMX console, please refer to the DMX CHARTS.

(3) RDM Function

① Connect the fixture to a console with RDM function using a connection cable.

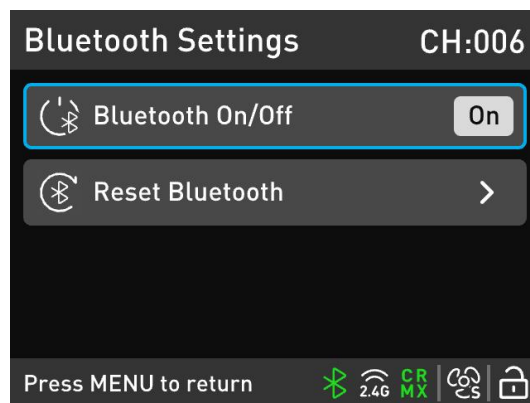
② Control the fixture using a console with RDM function (For detailed operations, please refer to the console manual).

▲ Note: The UID format of fixture is as below:



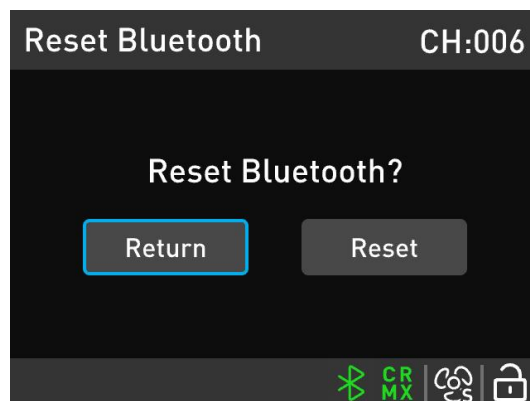
5.1.3. NANLINK APP Control-via Bluetooth

Enter the Bluetooth settings interface: Menu → Wireless Control → Bluetooth Settings.



The Reset Bluetooth option is available when the Bluetooth is on.

Enter the reset Bluetooth interface: Bluetooth Settings → Reset Bluetooth.

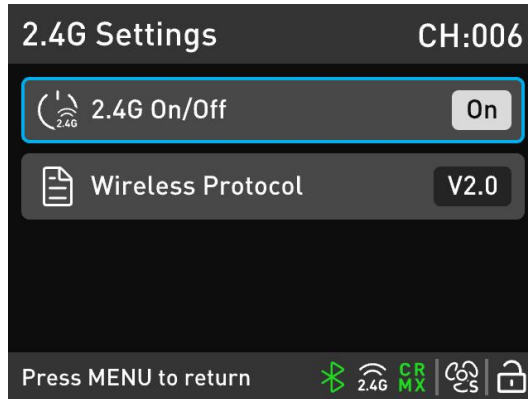


5.1.4. NANLINK APP Control-via 2.4G

The fixture can be controlled by the NANLINK APP via Bluetooth, or by the APP via 2.4G through the NANLINK transmitter box.

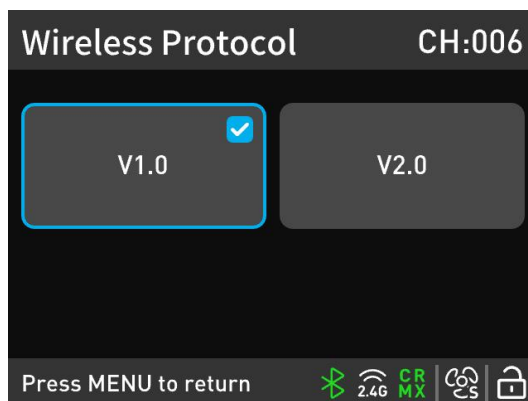
(1) Turn on the 2.4G.

Enter the 2.4G settings interface: Menu → Wireless Control → 2.4G Settings.

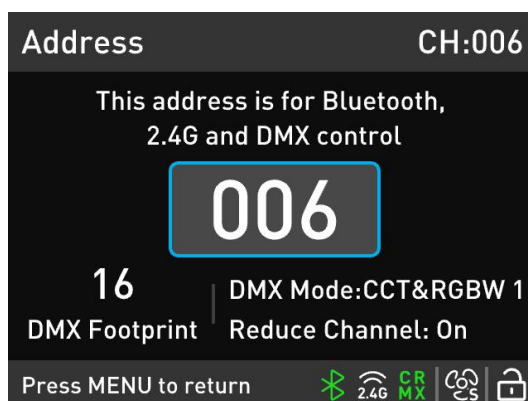


(2) Set the wireless protocol to V1.0.

Enter the wireless protocol interface: 2.4G Settings → Wireless Protocol.



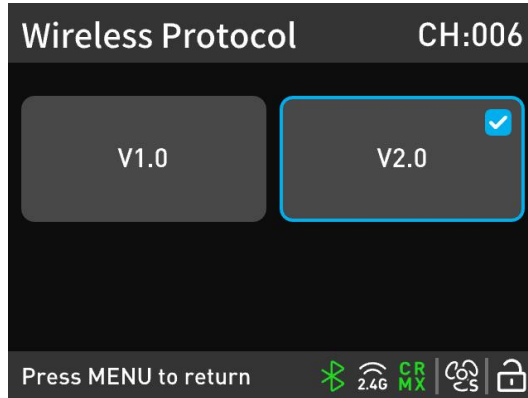
(3) Set the address.



5.1.5. Remote Controller Control

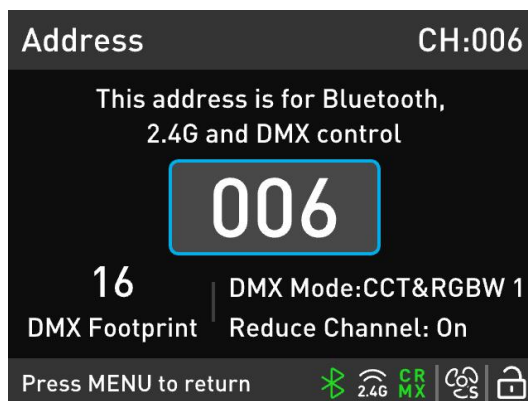
(1) Set the wireless protocol before controlling the fixture by a 2.4G remote controller.

Enter the wireless protocol interface: 2.4G Settings → Wireless Protocol.



▲ Note: The wireless protocol should be set in V2.0 when using the WS-RC-C2 remote controller to control the fixture. Set it in V1.0 when using other remote controllers.

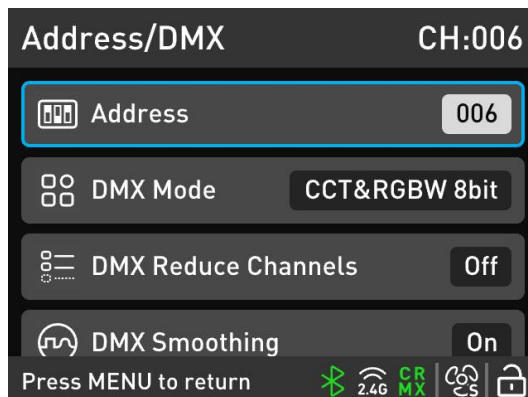
(2) Set the address.



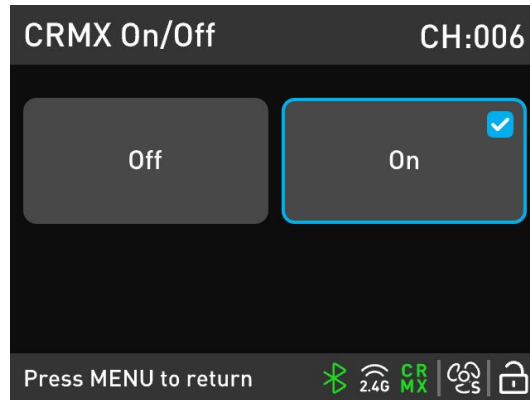
After setting, the fixture can be controlled by a 2.4G remote controller.

5.1.6. CRMX Control

(1) Set the address and adjust DMX settings before CRMX control: Menu → Address/DMX



(2) Turn on the CRMX: Menu → Wireless Control → CRMX Settings → CRMX On/Off

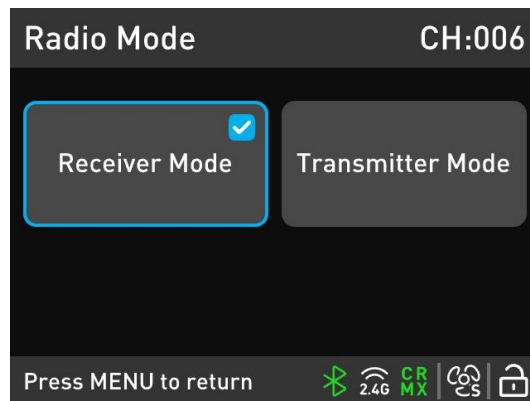


The CRMX wireless signal can be received when the CRMX is turned on.

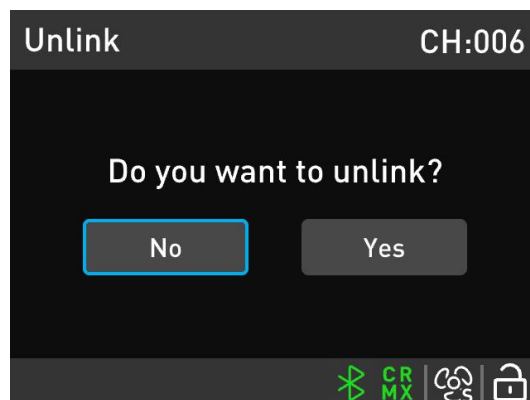
The CRMX wireless signal can't be received when the CRMX is turned off.

(3) Set the radio mode

Enter the radio mode interface: Menu → CRMX Settings → Radio Mode

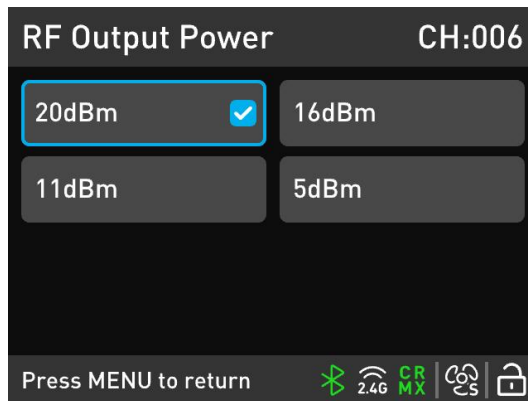


① When the fixture is set to receiver mode, set the fixture to CRMX unlink: CRMX Settings → Unlink



▲ Note: The CRMX settings should be set to unlink to allow the fixture to be reconnected to a new fixture or transmitter.

② When the fixture is set to transmitter mode, the RF output power can be set: CRMX Settings → RF Output Power



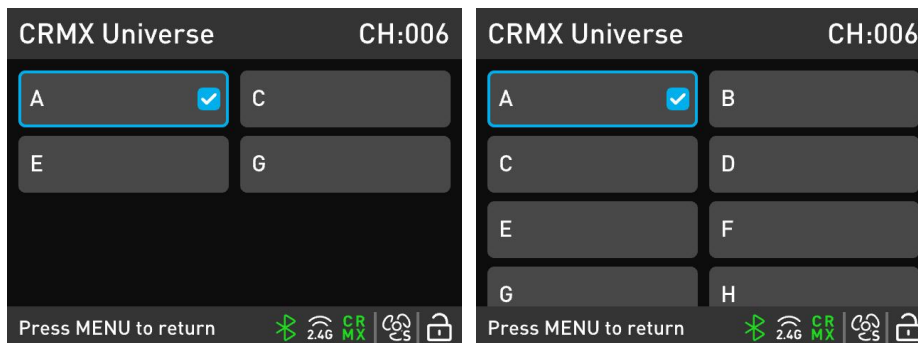
(4) Set the CRMX mode to CRMX Classic or CRMX 2: CRMX Settings → CRMX Mode



(5) Set the CRMX universe: CRMX Settings → CRMX Universe

In the CRMX Classic mode, there are A, C, E, G options.

In the CRMX 2 mode, there are A, B, C, D, E, F, G, H options.



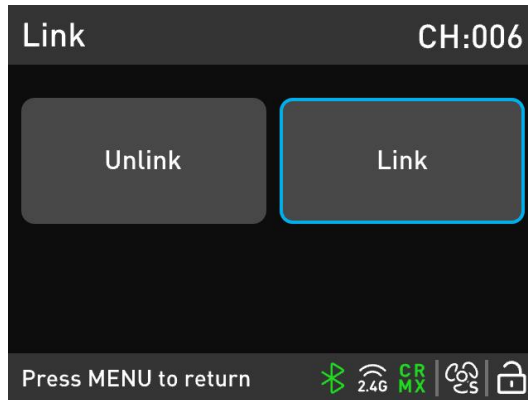
(6) Link the fixture in receiver mode to the fixture in transmitter mode or a CRMX transmitter, or link the fixture in transmitter mode to the fixture in receiver mode, there are two pairing methods:

① Manual Pairing

When the fixture in receiver mode does not have a linking key password set, or has been reset to the default password

(00000000), manual pairing can be performed.

Perform linking on the fixture in transmitter mode or on the CRMX transmitter: CRMX Settings → Link

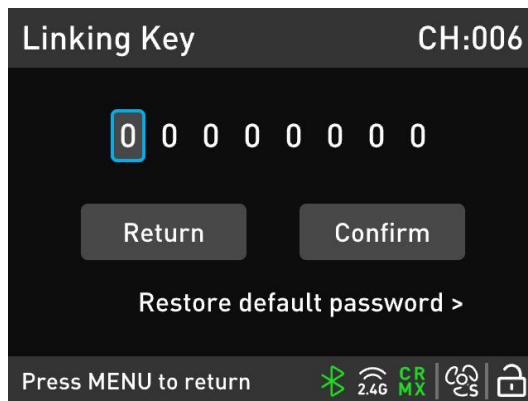


② Pairing via Linking Key

The fixture in transmitter mode and fixture in receiver mode must have the same CRMX mode, CRMX universe, and linking key password.

Set the linking key password: CRMX Settings → Linking Key

The linking key consists of eight digits. The default value is "00000000", and each digit can be set from 0 to 9.

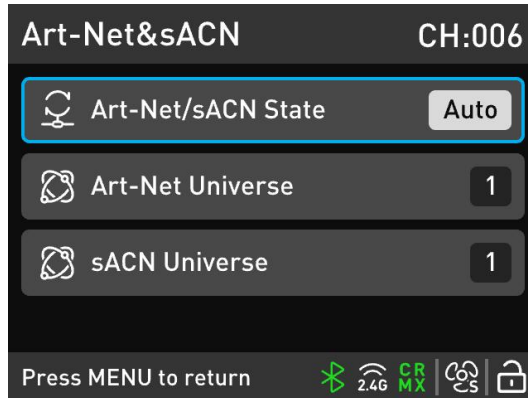


After the linking key password is set, the fixture will automatically detect all available devices and pair with those having the same CRMX mode, CRMX universe, and linking key.

▲ Note: If the fixture in receiver mode detects multiple transmitters with the same settings, it will pair with one of them at random.

5.1.7. Art-Net&sACN Control

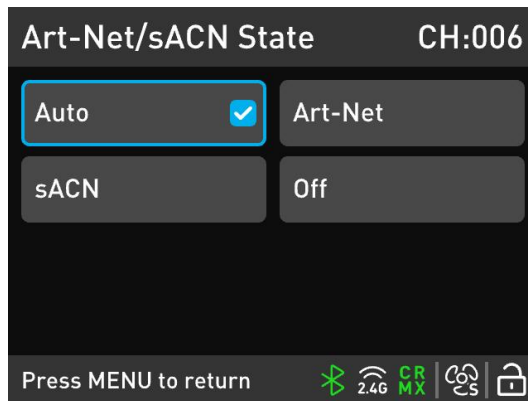
The Art-Net/sACN settings include Art-Net/sACN State, Art-Net Universe, and sACN Universe.



▲ Note: Before using the Art-Net/sACN function, the LAN extension adapter should be installed first.

(1) Art-Net/sACN State Settings

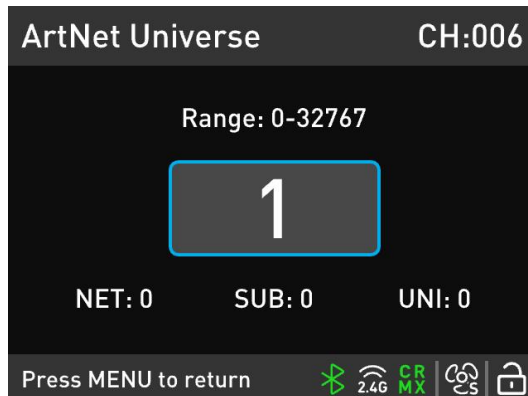
Enter the Art-Net/sACN state interface: Menu → Network Settings → Art-Net/sACN State.



Choose the Auto, the fixture will automatically detect Art-Net or sACN signals based on the network signal.

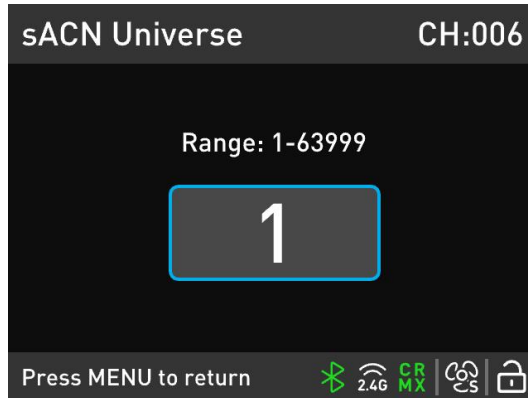
(2) Art-Net Universe Settings

Enter the Art-Net universe interface: Menu → Network Settings → Art-Net Universe.



(3) sACN Universe Settings

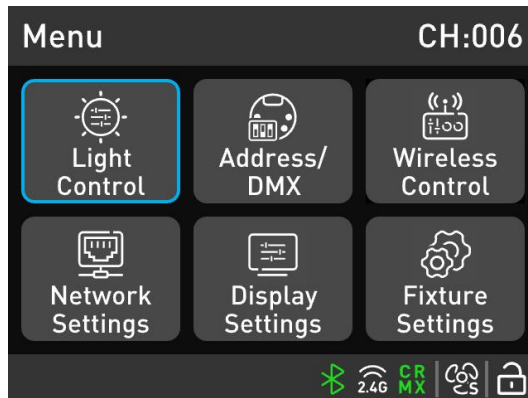
Enter the sACN universe interface: Menu → Network Settings → sACN Universe.



5.2. Menu

5.2.1. Menu Overview

In the menu, there are options including Light Control, Address/DMX, Wireless Control, Network Settings, Display Settings, Fixture Settings, EXT Port Settings and Language.



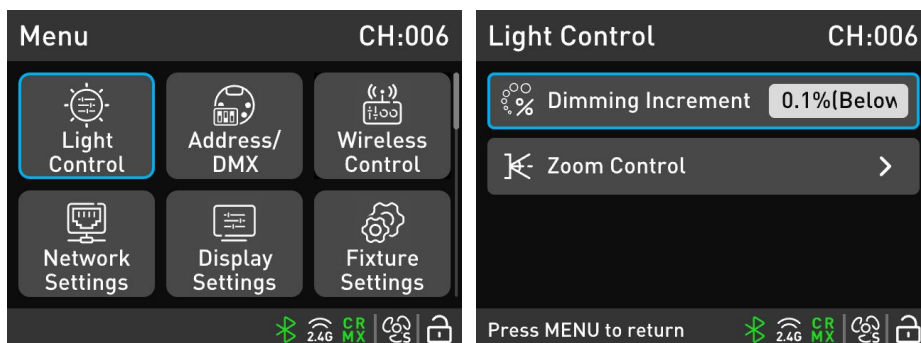
| Level 1 | Level 2 | Level 3 |
|---------------|---------------------|---------|
| Light Control | Dimming Increment | / |
| | Zoom Control | |
| Address/DMX | Address | / |
| | DMX Mode | |
| | DMX Reduce Channels | |

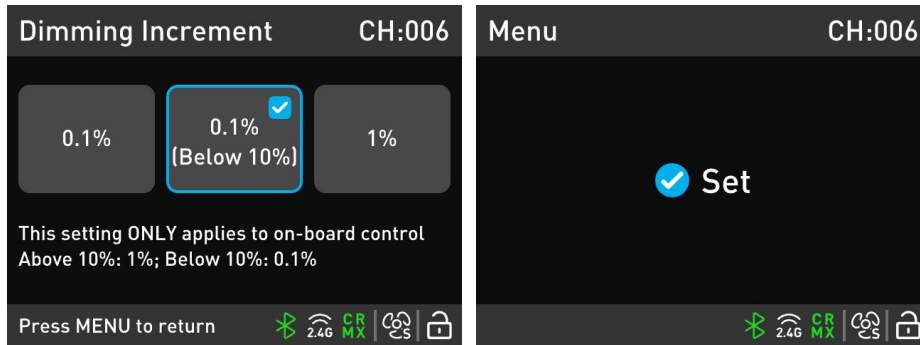
| Level 1 | Level 2 | Level 3 |
|------------------|---|--|
| | DMX Smoothing | |
| | DMX Dimming Curve | |
| | Loss Behavior | |
| Wireless Control | Bluetooth Settings | Bluetooth On/Off |
| | | Reset Bluetooth |
| | 2.4G Settings | 2.4G On/Off |
| | | Wireless Protocol |
| | CRMX Settings | CRMX On/Off |
| | | Radio Mode |
| | | CRMX Mode |
| | | CRMX Universe |
| | | Linking Key |
| | | Unlink (When the fixture is set to "Receiver Mode") |
| | | RF Output Power (When the fixture is set to "Transmitter Mode") |
| | Link (When the fixture is set to "Transmitter Mode") | |
| | All Wireless On/Off | / |
| Network Settings | Art-Net&sACN | Art-Net/sACN State |
| | | Art-Net Universe |
| | | sACN Universe |
| | Network Mode | / |

| Level 1 | Level 2 | Level 3 |
|-------------------|--------------------|---------|
| | IP Address | / |
| | Subnet Mask | / |
| | Gateway Address | / |
| | MAC Address | / |
| Display Setting | Screen Brightness | / |
| | Rotate Screen | |
| | Button Backlight | |
| Fixture Settings | Fan Control | / |
| | Firmware Update | |
| | Reset All Settings | |
| | Fixture Info | |
| EXT Port Settings | EXT Port FW Update | / |
| | EXT Port Info | |
| Language | / | / |

5.2.2. Menu Operation

In the menu, rotate the **right knob** to select an option and press the **right knob** to enter the next level menu. In the level 2 or level 3 menu, press the **MENU button** to return to the previous menu.





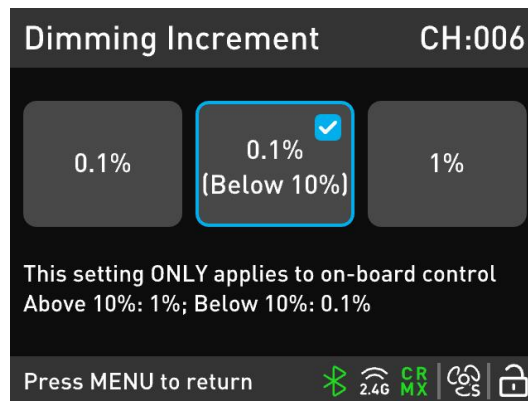
5.2.3. Others

(1) Dimming Increment

When 1% is selected, the dimming range is 0% to 100%, with increment of 1%.

When 0.1% is selected, the dimming range is 0.0% to 100.0%, with increment of 0.1%.

When 0.1% (Below 10%) is selected, if the brightness is set between 0.0% and 9.9%, the increment is 0.1%; if the brightness is set between 10% and 100%, the increment is 1%.



(2) Fan Control







When the fan is in Smart or Full Speed mode, the maximum brightness of the fixture is 100%.

When the fan is in Low Speed mode, the maximum brightness of the fixture is 50%.








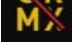
When the fan is in Pause mode, the interior fan will stop working temporarily, the maximum brightness is 100%. When the fixture reaches the critical temperature, the fan will automatically switch to the Smart mode.

When the fan is in Off mode, the interior fan will stop working, and the maximum brightness of the fixture is 15%.

Description for Fan Icon:

| Icon | Description |
|---|------------------|
|  | Fan (Smart) |
|  | Fan (Full Speed) |
|  | Fan (Low Speed) |
|  | Fan (Pause) |
|  | Fan (Off) |
|  | Fan Abnormal |

(3) Description for Wireless Icon in the Bottom Toolbar:

| Icon | Description |
|---|----------------------|
|  | Bluetooth Not Paired |
|  | Bluetooth Paired |
|  | Bluetooth Off |
|  | 2.4G On |
|  | 2.4G Off |
|  | CRMX Unlinked |
|  | CRMX Linked |
|  | CRMX Off |

(4) Firmware Update

Put the firmware files into the root directory of the USB drive (ensure the versions of the firmware files are the same), insert the USB drive into the USB-A port, enter the Menu → Fixture Settings → Firmware Update, the system will automatically search for the firmware files.

(5) EXT Port Firmware Update

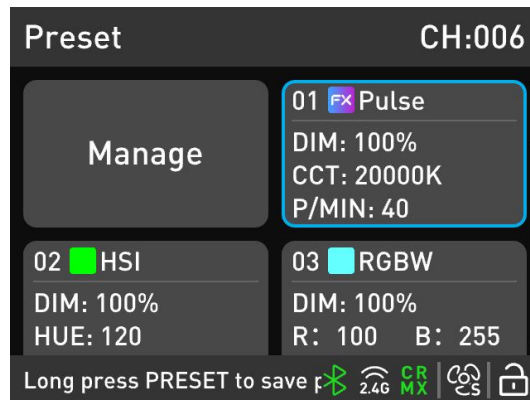
Put the firmware files of the EXT port into the root directory of the USB drive (ensure the versions of the firmware files

are the same), insert the USB drive into the USB-A port, enter the Menu → EXT Port Settings → EXT Port FW Update, the system will automatically search for the firmware files.

- ▲ Note:
- ① Please do not rename the firmware files.
 - ② Ensure the USB drive is formatted to FAT, FAT32 or exFAT.
 - ③ If the instruction "The versions of the firmware files don't match. Please check the files and try again" is displayed, pls check if the versions of the firmware files are the same.
 - ④ If the instruction "Missing parts of firmware files, please check the files and try again" is displayed, please ensure that all firmware files are stored on the USB drive.
 - ⑤ If the instruction "No firmware found, press MENU to return" is displayed, please check whether the firmware files are correct, whether they are stored in the root directory of the USB drive, and whether the USB drive is formatted as FAT, FAT32 or exFAT.
 - ⑥ If all the above steps have been completed and the firmware files still cannot be found, please format the USB drive again.
 - ⑦ If the fixture still cannot recognize the USB drive, please replace the USB drive.

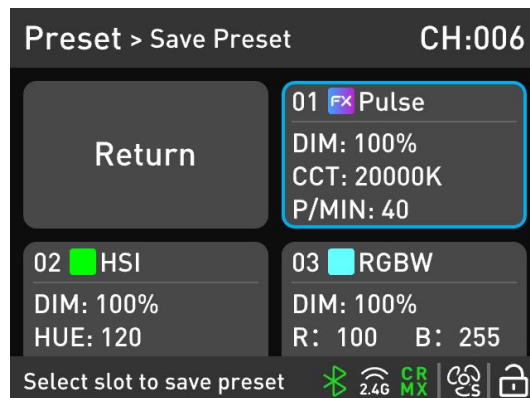
5.3. Preset

The preset function is used to save lighting settings for quick access. Press the **PRESET button** to enter the preset interface.



5.3.1. Save Preset

After completing the lighting settings, press the **PRESET button** for 3 seconds to enter the preset interface. Rotate the **right knob** to select a slot and press the **right knob** to save.

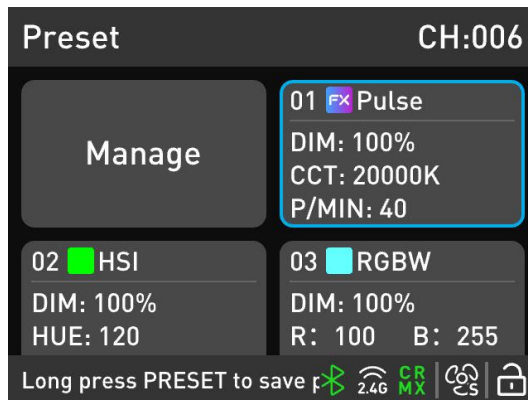


If a preset is already saved in this slot, pressing the **right knob** will show an instruction for replacing the preset. Select "Confirm" to replace the existing preset with the new one.



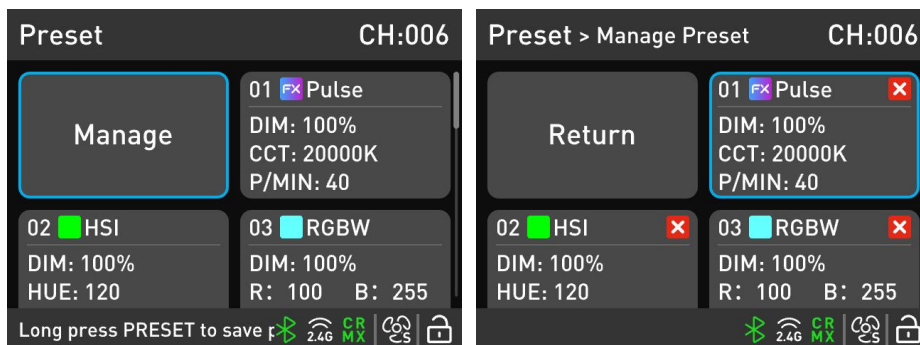
5.3.2. Apply Preset

In the preset interface, rotate the **right knob** to select the needed preset. Press the **right knob** to apply the preset's setting, and the screen will switch to the corresponding setting interface.

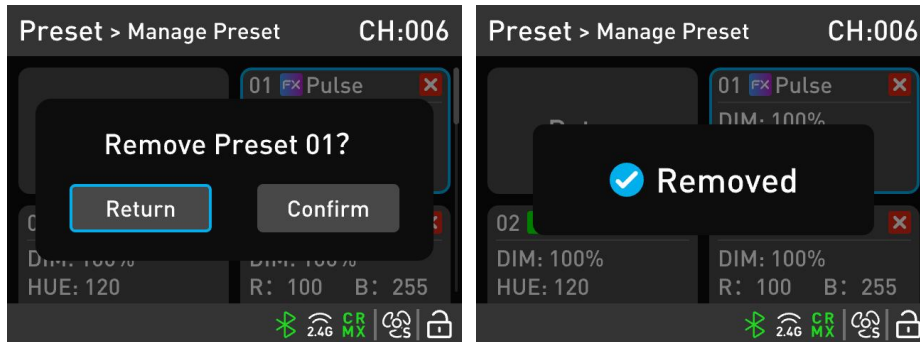


5.3.3. Manage Preset

In the preset interface, rotate the **right knob** to Manage Preset, and press the **right knob** to enter the preset manage interface, any preset can be removed in this interface.



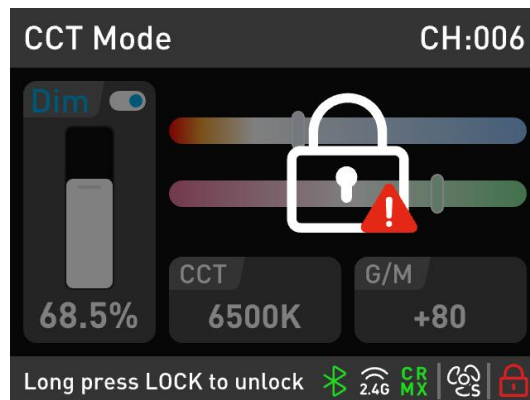
Rotate the **right knob** to select the preset to be removed. Pressing the **right knob** will show an instruction, select "Confirm" and press the **right knob** again to complete the removal.



5.4. Lock

Long press the **LOCK button** to lock the lighting state. Long press the **LOCK button** again to unlock.

The lock setting only locks the control panel; the fixture can still be controlled via DMX signals (including Art-Net, sACN) and all wireless signals (including CRMX, wireless DMX, 2.4G, Bluetooth).



▲ Note: If the fixture is turned off while in a locked state, it will remain locked when turned on again. To unlock, long press the **LOCK button**.

5.5. NFC Function

The fixture has a built-in NFC function, allowing it to quickly pair with NFC-enabled devices (with the Nanlink App downloaded), enabling adjustments to DMX control parameters.

6. Troubleshooting for Common Issues

| Issues | Troubleshooting Guide |
|---|---|
| The fixture can't power up. | <ol style="list-style-type: none"> 1. Please check whether the connections between the cable and power outlet are loose. 2. Please check whether the power source voltage and frequency are within the specified range. |
| The fixture can be operated manually, but DMX control is not working. | <ol style="list-style-type: none"> 1. Please check whether the DMX address setting is correct. 2. Please check whether the DMX cable is connected correctly and without damage. |
| The display screen is on, but the fixture cannot be operated. | Please check whether the screen shows "🔒". Long press the LOCK button for 3s to unlock. |
| The fan doesn't work. | Please turn on the fixture and check whether the fan is in Off or Pause mode. |

Please scan the QR code for more details.



【DMX Charts】




【Nanlux Website】



【Nanlink App】

WWW.NANLUX.COM

NANLUX

 +86-754-85751187

 info@nanlux.com

 Dongli Section, Highway 324, Chenghai, Shantou City, Guangdong Province, China